

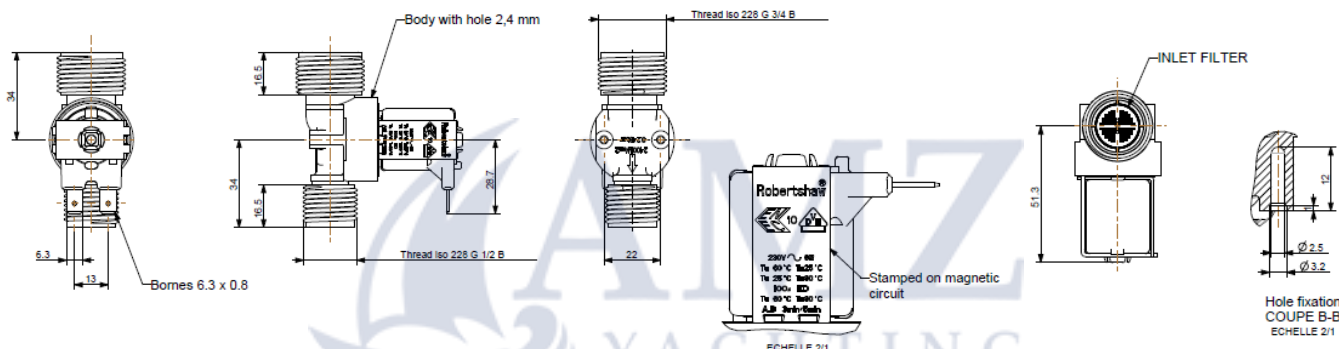
Product Information Sheet

SOLENOID VALVE – VAI (DESIGN-FLEXI LINE)

T -PF.P14/V	12 volts	INVENSYS SOLENOID VALVE (VAI) - PILOT OPERATED
T-PF.P15/V	24 volts	
T-PF.P12/V	230 / 50	
T-PF.P47/V	110/ 60	



INLET SOLENOID Centralized system	12V DC	24V DC	110-125V AC 60Hz	220-240V AC 50Hz or 60Hz
Power consumption	9.5 W	10 W	6 W	6 W
Working pressure recommended	3 bar	3 bar	3 bar	3 bar
Solenoid Inlet and Outlet (threaded female)	1/2"			
Toilet inlet hose fitting (barbed)	20 mm			



STANDARD SOLENOID VALVE	
VOLTAGE	RATED VOLTAGE : 220-240 VAC, 110-120 VAC, 24 VAC & 12 VAC. OTHERS UPON REQUEST.
FREQUENCY	RATED FREQUENCY 50-60 HZ
TERMINALS	TWO 6.35 X 0.8 MM MALE TAB TERMINALS.
COIL INSULATION	CLASS F (140°C OPERATING TEMPERATURE) - INSULATION : CLASS II. FULLY DOUBLE INSULATED. NO GROUNDING REQUIRED.
AMBIENT TEMPERATURE	60 °C MAXIMUM.
LIQUID TEMPERATURE	90°C MAXIMUM.
OPERATING CYCLE RATE	TU 25°C, TM 90°C & TU 60°C, TM 25°C - CONTINUOUS (100% ED)
OPERATING PRESSURE RANGE	0.2 TO 10 BAR
FLOW RATE	0.25 TO 12 LITRES/MINUTE
COMPLIANCE	EMC : FULLY COMPLIANT
APPROVALS / CERTIFICATIONS	APPROVALS : APPROVED BY ALL MAJOR APPROVALS AGENCIES WORLD-WIDE. EN 60 730-2-8, UL 429, CSA C22.2 ETC.